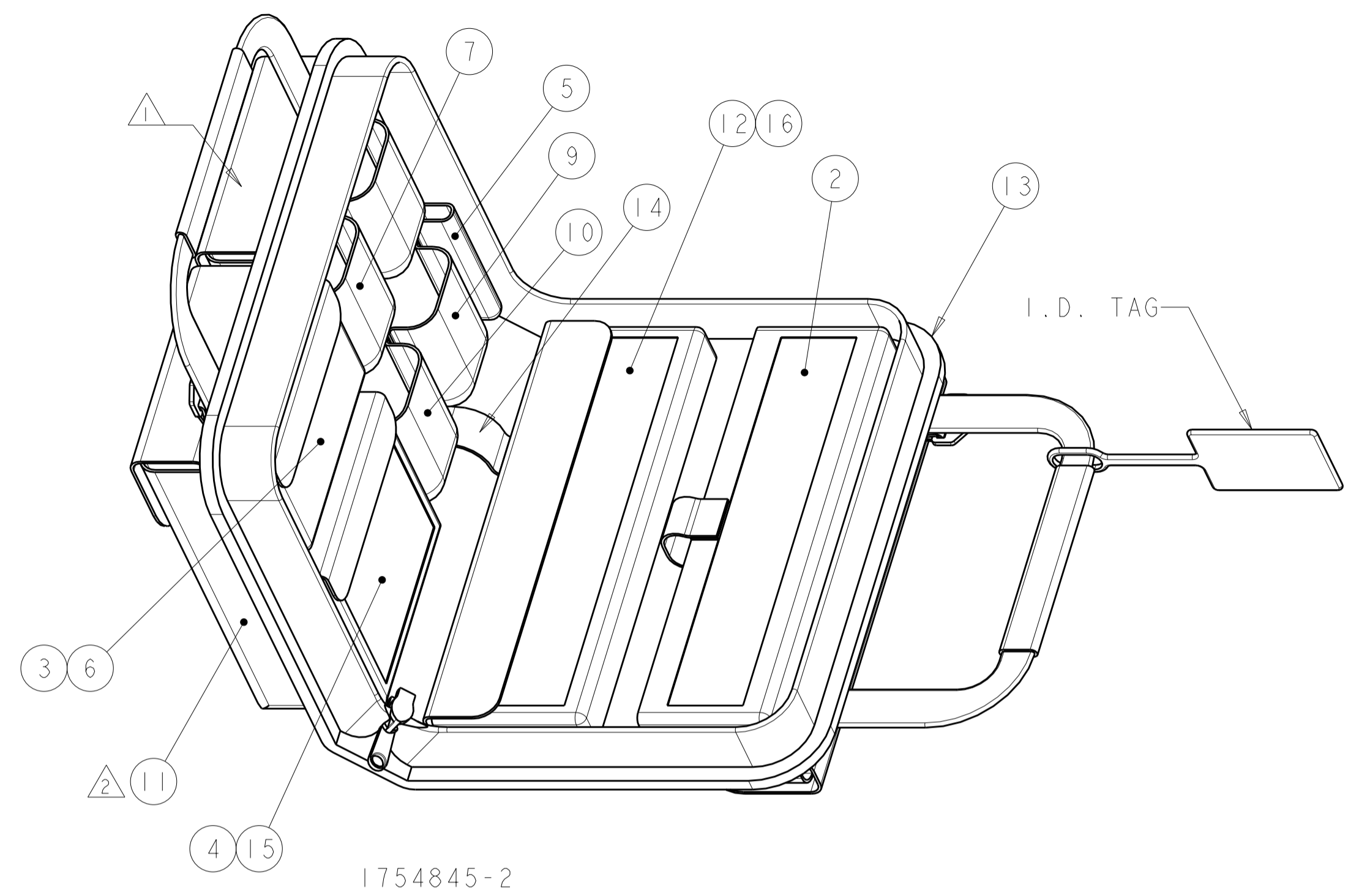
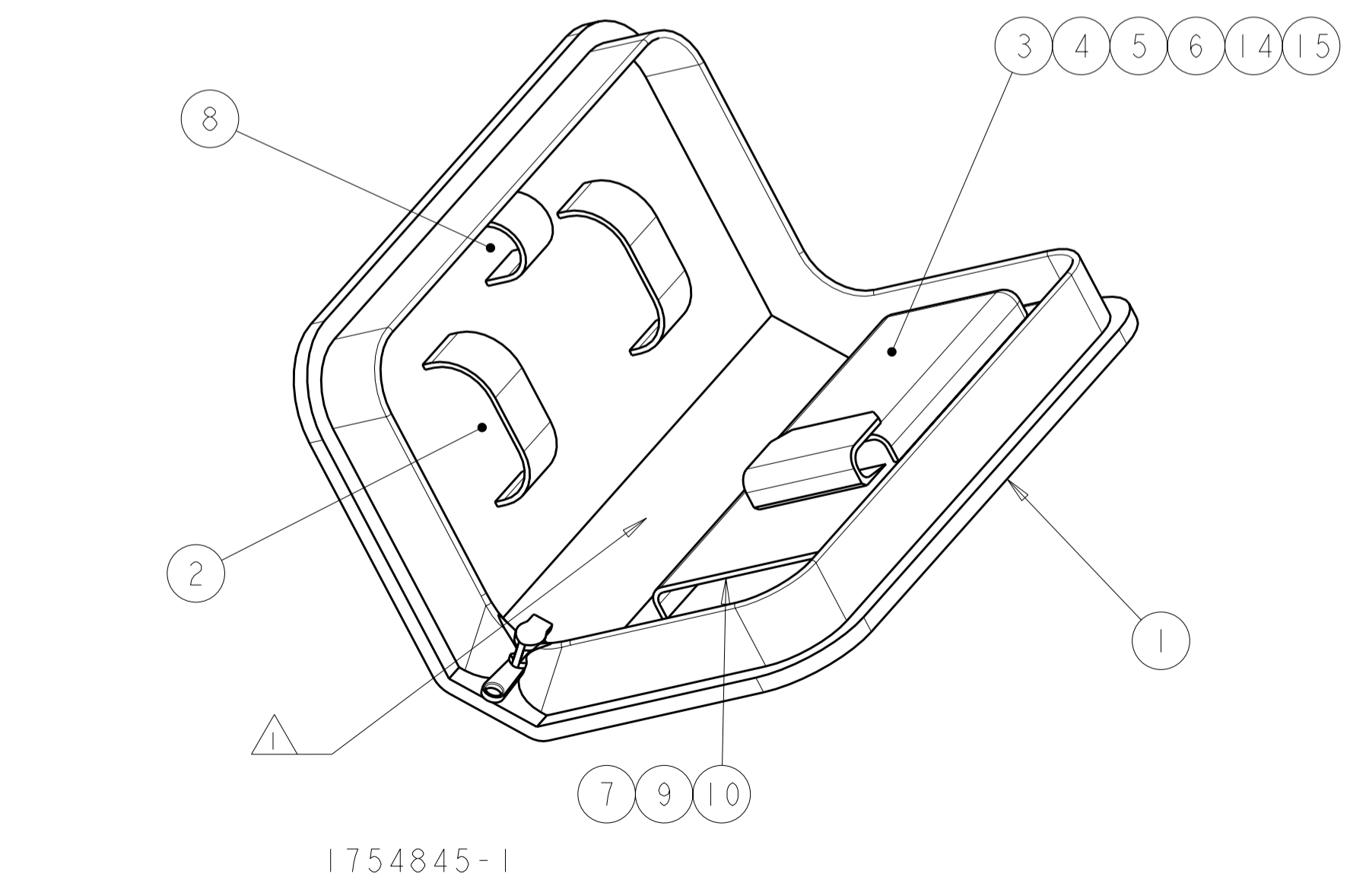


THIS DRAWING IS UNPUBLISHED. RELEASED FOR PUBLICATION 20
 © COPYRIGHT 20 BY TYCO ELECTRONICS CORPORATION. ALL RIGHTS RESERVED.

LOC	DIST	REVISIONS					
CE	00	P	LTR	DESCRIPTION	DATE	DWN	APVD
		G		REVISE PER ECR-08-015995	28AUG2008	BB	DK



- △ 1 MANUFACTURER'S INSTRUCTION SHEETS.
- △ 2 OPTIONAL SHOULDER STRAP.
- 3. INSTRUCTION SHEETS 408-4020, 408-8925 AND 408-10103 EXPLAIN THE LightCrimp Plus TERMINATION TECHNIQUE AND ARE AVAILABLE FOR DOWNLOAD AT www.catalog.tycoelectronics.com.



1	-	1754765-1	MICROSCOPE ADAPTER, 1.25mm	16
1	1	1278625-1	CABLE CLAMP	15
1	1	501014-1	SCISSORS	14
1	-	1278540-1	PREMIUM SOFT CASE	13
1	-	1754767-1	200x MICROSCOPE	12
1	-	1871696-1	FIBER CLEAVER, SLIDE CUTTER	11
1	1	1278637-1	KEVLAR SHEARS	10
1	1	1754708-1	STRIP TOOL, FIBER COMBINATION	9
-	1	492674-1	CLEAVE TOOL ASSY	8
1	1	492109-2	MICRO STRIP TOOL (.008)	7
14	14	501857-2	ALCOHOL WIPES	6
2	2	1278422-1	OPEN END WRENCH, 1/4"	5
1	1	1754138-1	CABLE HOLDER ASSY, LC	4
1	1	1754136-1	LC DIESET	3
1	1	1976850-2	PROCRIMPER FRAME	2
-	1	492323-1	SOFT CASE	1
-2	-1	PART NUMBER	DESCRIPTION	ITEM NO.

<small>THIS DRAWING IS A CONTROLLED DOCUMENT FOR TYCO ELECTRONICS CORPORATION. IT IS SUBJECT TO CHANGE AND THE CONTROLLING ENGINEERING ORGANIZATION SHOULD BE CONTACTED FOR THE LATEST REVISION.</small>		DWN B. BRIGGS 17MAY2006 CHK D. KIRSCH 17MAY2006 APVD S. BUCHTER 17MAY2006	Tyco Electronics Harrisburg, PA 17105-3608
DIMENSIONS: mm 	TOLERANCES UNLESS OTHERWISE SPECIFIED: 0 PLC ± 1 PLC ± 2 PLC ± 3 PLC ± 4 PLC ± ANGLES ± FINISH	PRODUCT SPEC APPLICATION SPEC WEIGHT	NAME: TERMINATION KIT, LightCrimp Plus, LC SIZE: A2 CAGE CODE: 00779 DRAWING NO: 1754845 RESTRICTED TO: -
MATERIAL		CUSTOMER DRAWING	SCALE: NTS SHEET 1 OF 1 REV G